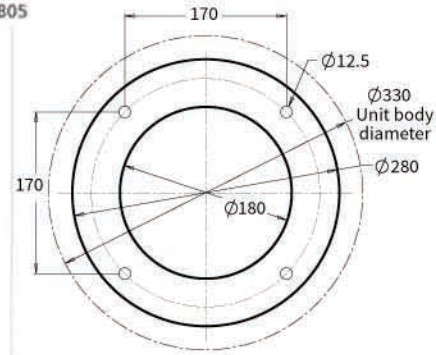


Wheelchair unit height and radial location optional  
 Max height 760 for 800 unit  
 Max height 660 for 700 unit

Hole positions in base mounting plate



Plumbing connection above ground

Plumbing connection under ground



Universal aquaBUBBLER  
 Product Code: AB2UA147 or AB2UA148

**aquaBUBBLER**  
 Drinking Fountains

**1300 213 774**  
[www.aquabubbler.com.au](http://www.aquabubbler.com.au)  
**0800 213 774**  
[www.aquabubbler.co.nz](http://www.aquabubbler.co.nz)